

INSTRUCTION MANUAL

ACCESSORIES

CÓDE: RMA / REVISION: 002 – JULY 2020 – ENGLISH VERSION



Thank you for purchasing a Forza Rescue equipment. This manual describes the basic procedures for operating and maintaining the equipment. Procedures performed in breach of this manual are total responsibility of the owner. Reading this manual in its entirety is essential for correct use of the equipment. Any questions, difficulties or additional information, please contact us:

WARNING: Check the correct product model and instruction manual version. This care is important to ensure the effective and safe use of the product. To receive printed instructions, contact with **Forza Rescue**.



Forza Indústria de Equipamentos Médicos Ltda
1275, Heitor Curra - Colina de Flores, Flores da Cunha – RS - Brazil
Zip Code: 95270-000 / Fone: +55 54 3771 1188
Email: forza@forzarescue.com.br / Web: www.forzarescue.com.br
Authorization Company Number - AFE nº: 8.20.639-0
Technical Responsible: William Brustolin Areze – CREA RS 205582

SUMMARY

LIMITATION OF LIABILITY:	2
IV POLE	3
OXIGEN CYLINDER BRACKET	4
CARDIAC MONITOR TABLE	5
IDENTIFICATION AND TRACEABILITY	Erro! Indicador não definido.
WARNING STICKERS	6
STORAGE	7
ORIGIN	7



ATTENTION: ALL INFORMATION CONTAINED IN THIS TABLE IS EXTREMELY IMPORTANT. PLEASE READ ALL THE INFORMATION HEREIN CAREFULLY. ANY QUESTIONS PLEASE CONTACT OUR TEAM IMMEDIATELY THROUGH E-MAIL forza@forzarescue.com.br OR BY PHONE: +55 54 3771 1188.

LIMITATION OF LIABILITY: Forza Rescue is not responsible for damage or accidents arising from failure to don't observe the instructions contained in this manual or use in violation of it. Natural wear and tear of parts and components, improper installation or use by untrained persons are also not the responsibility of the manufacturer. For a longer useful life, do not expose or use this equipment under adverse conditions, such as: rain, humidity, excessive heat or cold.

This equipment was developed for use in emergency medical services routines, with a unique and exclusive application for the transport of disabled people and victims of accidents. After each use, it is recommended a complete cleaning of all its parts and components. The cleaning and sterilization procedures are the owner responsibility, and the owner must follow the current protocols established by the local policies and regulations.

This equipment must be handled only by a qualified professional (paramedic) with knowledge of the emergency medical service routines, first aid, handling and transport of patients as well as any other procedure that involves emergency medical service activities.

After removal the equipment from the original packaging, a cleaning is recommended to eliminate any contamination from the factory.

During the patient transportation make sure that all safety items, such as: Belts, side straps, locks, supports are properly engaged, locked, fasten or in use.

Perform periodic maintenance as described in the manual. Maintenance ensures a longer life for the equipment as well as greater safety during its use. To obtain a copy of the complete manual, access our download area on the website: www.forzarescue.com.br.

Using non-compatible spare parts, or modifying the equipment by altering the original design by inserting components such as iron, wire, ropes, nails or items for palliative repair creates the risk of accidents and total loss of warranty. Use only original parts provided by Forza Rescue and never change parts or any maintenance that requires a change in the structure of the equipment without first contacting our technical department. The manufacturer is not responsible for damage or accidents resulting from unauthorized repairs or adjustments. The use of any third part, accessory or material is the responsibility of the owner.

Before using the equipment, make sure that it is in perfect condition. Regularly check its structure for damage, loose components or any other anomaly, malfunctions or abnormal behavior. If faults or any other strange behavior are detected during an inspection, the equipment must be immediately taken out of service until the correct maintenance is carried out.

Do not remove the serial number identification tag. In addition to the immediate loss of the warranty, the equipment will also lose its traceability control for information from the manufacturer.

Pay attention to the load capacity of the equipment never exceeding the established limit. Use with a weight above the stipulated can cause serious accidents and irreversible structural damage to the equipment.

Before disposing of parts or equipment, check the need for disinfection or sterilization. Perform conscious disposal by directing to the correct recycling processes.

Never leave patients alone on the equipment. Pay attention when traveling over rough, steep terrain or any obstacle along the way. Never transport patients without additional help, always use the help of at least 2 people (paramedics) to perform any transport.

This equipment have been tested to ensure the safety of ambulance occupants. If the ambulance suffers any type of accident with impact, the equipment must be discarded and replaced.

Read carefully the guarantee certificate available for download on the website: www.forzarescue.com.br paying attention to its scope and limitations.

EXPIRY DATE: The average useful life of this equipment is 5 years, taking account all cleaning, conservation and preventive maintenance guidelines.

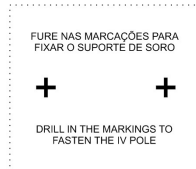
STERILIZATION: Non-sterile product.

IV POLE – MODEL FR-AS1

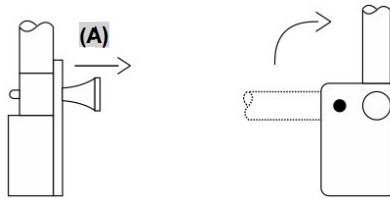
Product registration number: 82063900002

The IV Pole was specifically developed for Forza Rescue stretchers. Easy to use, it is an extremely useful and functional accessory. To use it follow the instructions:

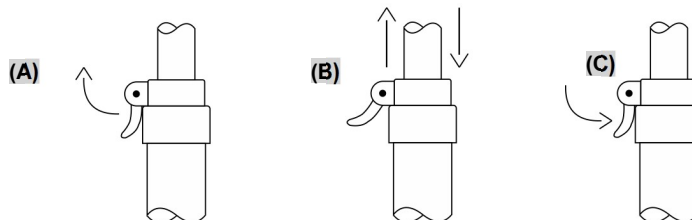
1) If your stretcher does not have the IV Pole installed from the factory, proceed with the installation of the accessory by drilling the hole in the location indicated on the side sticker, fastening the IV Pole with the screws provided in the set.



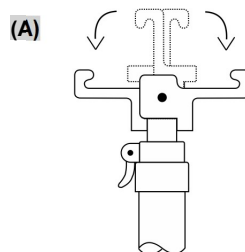
2) To lift the rod from the IV Pole, pull the pin **(A)** and place the rod in a vertical position fastening the pin in the second hole. To store it, perform the reverse process, laying the rod in a horizontal position.



3) To adjust the height of the support rod: Release the trigger **(A)** by raising or lowering the rod in the desired position **(B)**, pressing the trigger to lock the rod in the chosen position **(C)**.



4) After fastening the rod at the desired height, open the bag support hooks **(A)** to hang the serum, blood or plasma bags, keeping in mind the maximum load capacity of the support of 2Kg.



WARNING: When the IV Pole is not in use, close the support hooks, retract the telescopic rod and lay it in the horizontal storage position. Always respect the loading weight stipulated for the accessory.

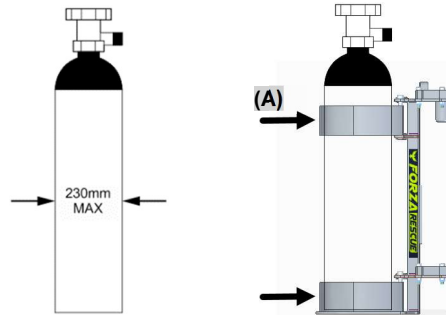
Load capacity for this model: 2Kg

OXIGEN CYLINDER BRACKET – MODEL FR-AC1

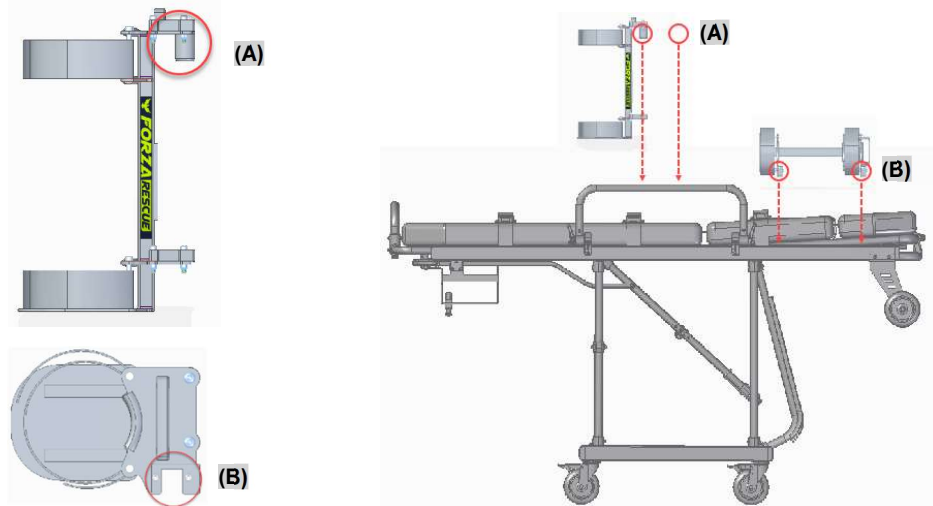
Product registration number: 82063900002

Use the cylinder bracket according to the following instructions to ensure good performance and safety during use. The cylinder bracket of Forza Rescue can be attached to the stretcher in horizontal and vertical positions. Check the best coupling position according to your need.

1) The bracket was developed to transport an oxygen cylinder of a maximum of 20kg and with a diameter of up to 23cm. Place the cylinder on the bracket and use the velcro straps (A) to fasten it. Be sure to tighten the straps enough to ensure that the cylinder is fasten.

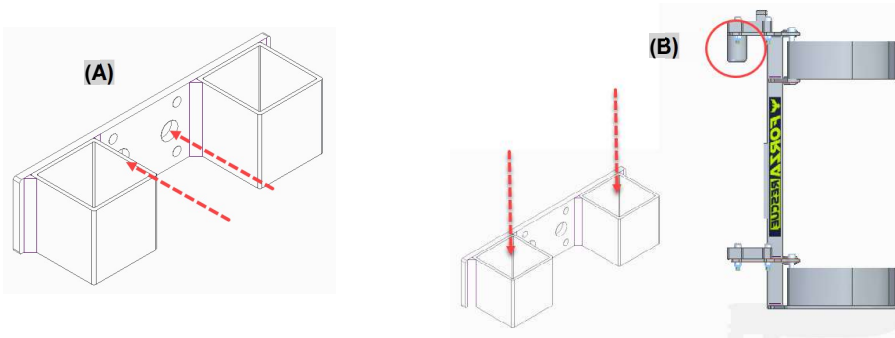


2) Attach the bracket to the side of the stretcher using the existing hooks. The bracket can be coupled horizontally or vertically in the rectangular frame of the stretcher, or vertically in the side handle, according to the positions indicated in the following illustration.



WARNING: Be careful when the cot are folding with the attached bracket, as well as when loading or unloading from the ambulance. Also pay attention to the side chosen for attach the bracket, so that it does not collide with furniture or other equipment inside the ambulance.

3) To fasten and transport the bracket inside the ambulance, use the provided clamp (A) with the set, fixing it on the wall or on the ambulance door, choosing the most suitable place to perform the fixation. The clamp for transport in the ambulance allows the bracket to be transported only in a vertical position. Fit the rear hooks (B) of the bracket on the clamp for transport or storage inside the ambulance.



WARNING: Before drilling the vehicle make sure that there are no structural sleepers, electrical parts and especially fuel tanks in the location chosen to install the support. If necessary, remove the part before drilling or hire the services of a professional to carry out the installation.

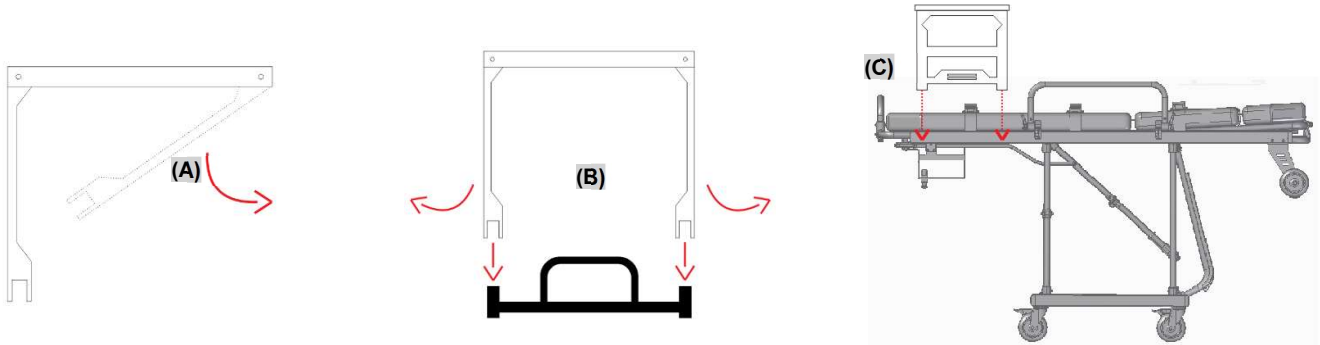
Load capacity for this model: 20Kg

CARDIAC MONITOR TABLE – MODEL FR-AM1

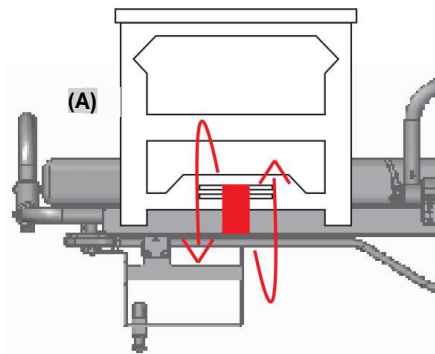
Product registration number: 82063900002

Use the table to transport a cardiac monitor, defibrillator, infusion pump and other equipment, always respecting the load capacity of the table, stipulated in 10kg.

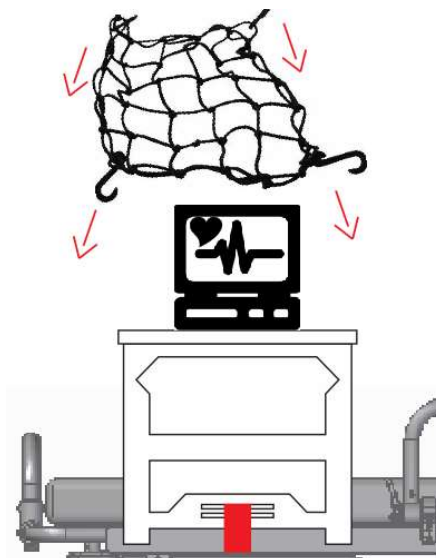
1) Open the table support feet up to the limit **(A)**, slightly forcing its opening to fit the rectangular stretcher frame **(B)**. Fit the feet in the tube, in the indicated location **(C)**, making sure that they have been fitted until the end.



2) Use the side velcro straps **(A)** to fasten and secure the table on the stretcher. Pass the belt around the side frame of the stretcher, giving the necessary tightness to fasten the table.



3) Place the devices on the base and use the elastic net to fasten them, fasten the hooks of the net in the holes available for hooking on the edge of the table.



WARNING: To store the table, reverse the previously described processes, releasing the fastening bolts and closing the sides of the table (feet) inwards. Try to store the table in a safe place inside the ambulance.

Load capacity for this model: 10Kg and 40Kg for the ECMO version.

WARNING STICKERS

Forza Rescue equipment has some visual communications made through specific stickers. Be aware if your equipment model has any of the stickers below. Never remove, damage or scratch the warning stickers.

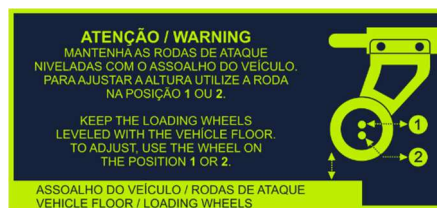
- a) Load capacity: Indicates the maximum load limit that can be carried on the equipment. Check the respective indication on your equipment and respect the stipulated limit. Example:



- b) Fasten the belts: Indicates that all seat belts (including shoulder restraints) must be fastened for any patient to be transported.



- c) Loading wheels: If you have any model of folding cot. Indicates that the loading wheels must always be on the same level as the vehicle / ambulance floor, to ensure the correct and safe loading or unloading operations.



CLEANING AND ASEPSIS SUGGESTION

Forza Rescue suggests that cleaning and basic asepsis for all equipment can be done using 70° alcohol or neutral soap. After cleaning, remove residues from these products in order to avoid direct contact with the patients' skin or mucosa. We do not recommend the use of bleach or abrasive products.

In extreme cases, when there is a large concentration of blood, fluids or debris, we recommend using a jet wash with neutral soap. After this process dry all equipment with a dry cloth and lubricate all moving parts using a 100% vegetable lubricant.

Seat belts should be washed weekly by immersing them in water and mild soap in order to remove the deepest dirt. We recommend periodic replacement of all seat belts within an average period of 6 months in order to avoid contamination. Mattresses with a torn or perforated protective cover should be discarded and replaced immediately.

PERIODIC MAINTENANCE

Since the equipment is composed by a several mechanisms and articulation systems, we recommend carrying out a periodic maintenance schedule in order to increase the safety and useful life of the equipment. Periodic maintenance must include (in agreement with the equipment you have) the verification of the following points:

- Check all the main structure, looking for possible damage.
- Check for wear on moving parts or joints.
- Check for loose screws, nuts, or pins.
- Check that the castor brake is working and that there is no dirt blocking its rotation.
- Check that all mechanisms are working perfectly.
- In the case of stretchers, check that there are no holes or tears in the mat cover.
- Check that all seat belts are working correctly.
- In the case of stretchers, check that the loading wheels are at the same height as the ambulance floor and that the fasten system in the vehicle is working correctly, without looseness or strange behavior.
- Check that all moving parts are lubricated.

Create a maintenance schedule to check the points above. We recommend that this check is made weekly and that a script of notes is created to monitor the state of conservation of the equipment.



STORAGE / CONSERVATION CONDITIONS:

Store this product in its original packaging. If this is not possible, store it in an appropriate place, free from weather and nature agents.

ORIGIN

Product made in Brazil - Brazilian Industry