

INSTRUCTION MANUAL

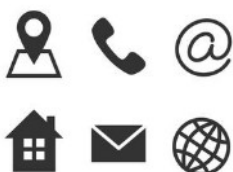
FOLDING STRETCHER – MODEL FR-P2

CÓDE: RMA / REVISION: 001 – DECEMBER 2020 – ENGLISH VERSION



Thank you for purchasing a Forza Rescue equipment. This manual describes the basic procedures for operating and maintaining the equipment. Procedures performed in breach of this manual are total responsibility of the owner. Reading this manual in its entirety is essential for correct use of the equipment. Any questions, difficulties or additional information, please contact us:

WARNING: Check the correct product model and instruction manual version. This care is important to ensure the effective and safe use of the product. To receive printed instructions, contact with **Forza Rescue**.



Forza Indústria de Equipamentos Médicos Ltda
1275, Heitor Curra - Colina de Flores, Flores da Cunha – RS - Brazil
Zip Code: 95270-000 / Fone: +55 54 3771 1188
Email: forza@forzarescue.com.br / Web: www.forzarescue.com.br
Authorization Company Number - AFE nº: 8.20.639-0
Technical Responsible: William Brustolin Areze – CREA RS 205582

SUMMARY

LIMITATION OF LIABILITY:	2
FOLDING STRETCHER – MODEL FR-P2	3
IDENTIFICATION AND TRACEABILITY	3
WARNING STICKERS	4
CLEANING AND ASSEPSY SUGGESTION	4
PERIODIC MAINTENANCE	4
STORAGE	4
ORIGIN	4



ATTENTION: ALL INFORMATION CONTAINED IN THIS TABLE IS EXTREMELY IMPORTANT. PLEASE READ ALL THE INFORMATION HEREIN CAREFULLY. ANY QUESTIONS PLEASE CONTACT OUR TEAM IMMEDIATELY THROUGH E-MAIL forza@forzarescue.com.br OR BY PHONE: +55 54 3771 1188.

LIMITATION OF LIABILITY: Forza Rescue is not responsible for damage or accidents arising from failure to don't observe the instructions contained in this manual or use in violation of it. Natural wear and tear of parts and components, improper installation or use by untrained persons are also not the responsibility of the manufacturer. For a longer useful life, do not expose or use this equipment under adverse conditions, such as: rain, humidity, excessive heat or cold.

This equipment was developed for use in emergency medical services routines, with a unique and exclusive application for the transport of disabled people and victims of accidents. After each use, it is recommended a complete cleaning of all its parts and components. The cleaning and sterilization procedures are the owner responsibility, and the owner must follow the current protocols established by the local policies and regulations.

This equipment must be handled only by a qualified professional (paramedic) with knowledge of the emergency medical service routines, first aid, handling and transport of patients as well as any other procedure that involves emergency medical service activities.

After removal the equipment from the original packaging, a cleaning is recommended to eliminate any contamination from the factory.

During the patient transportation make sure that all safety items, such as: Belts, side straps, locks, supports are properly engaged, locked, fasten or in use.

Perform periodic maintenance as described in the manual. Maintenance ensures a longer life for the equipment as well as greater safety during its use. To obtain a copy of the complete manual, access our download area on the website: www.forzarescue.com.br.

Using non-compatible spare parts, or modifying the equipment by altering the original design by inserting components such as iron, wire, ropes, nails or items for palliative repair creates the risk of accidents and total loss of warranty. Use only original parts provided by Forza Rescue and never change parts or any maintenance that requires a change in the structure of the equipment without first contacting our technical department. The manufacturer is not responsible for damage or accidents resulting from unauthorized repairs or adjustments. The use of any third part, accessory or material is the responsibility of the owner.

Before using the equipment, make sure that it is in perfect condition. Regularly check its structure for damage, loose components or any other anomaly, malfunctions or abnormal behavior. If faults or any other strange behavior are detected during an inspection, the equipment must be immediately taken out of service until the correct maintenance is carried out.

Do not remove the serial number identification tag. In addition to the immediate loss of the warranty, the equipment will also lose its traceability control for information from the manufacturer.

Pay attention to the load capacity of the equipment never exceeding the established limit. Use with a weight above the stipulated can cause serious accidents and irreversible structural damage to the equipment.

Before disposing of parts or equipment, check the need for disinfection or sterilization. Perform conscious disposal by directing to the correct recycling processes.

Never leave patients alone on the equipment. Pay attention when traveling over rough, steep terrain or any obstacle along the way. Never transport patients without additional help, always use the help of at least 2 people (paramedics) to perform any transport.

This equipment and its fasten system have been tested to ensure the safety of ambulance occupants. If the ambulance suffers any type of accident with impact, the equipment must be discarded and replaced.

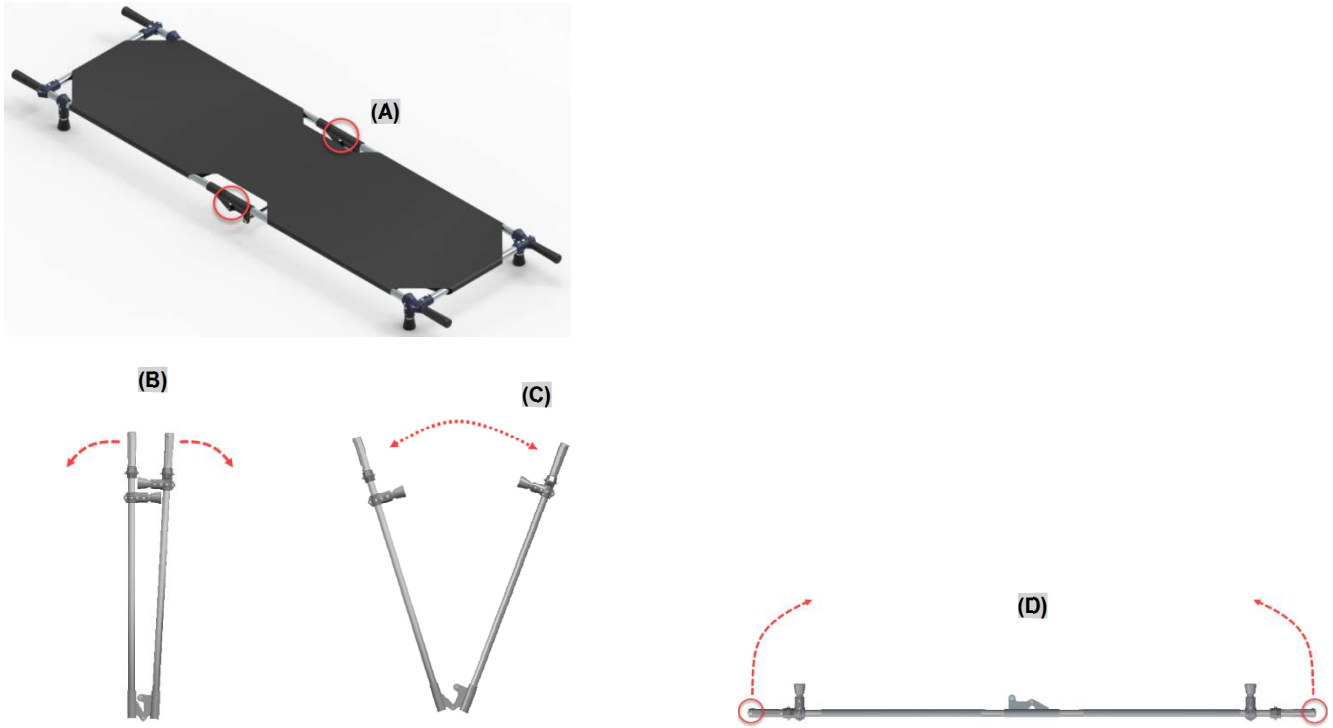
Read carefully the guarantee certificate available for download on the website: www.forzarescue.com.br paying attention to its scope and limitations.

EXPIRY DATE: The average useful life of this equipment is 5 years, taking account all cleaning, conservation and preventive maintenance guidelines.

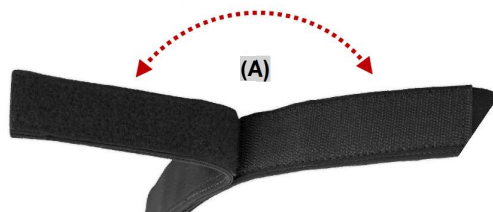
STERILIZATION: Non-sterile product.

FOLDING STRETCHER – MODEL FR-P2

1) The stretcher has a single central articulation to folding it **(A)**. For this process, just hold the stretcher by the ends and fold it in half, both to open and close it **(B) (C) (D)**.



2) Lay the patient on the stretcher whether or not they are immobilized with the immobilization board. Before starting the transport, secure the patient with the seat belts to ensure its stability. The use of the belt is very simple, just overlapping the straps making the necessary tightening and adhering (sticking) the velcro parts **(A)**.



ATTENTION: The stretcher is based on flexible synthetic laminate, and it is not recommended to transport patients with suspected cervical spine injuries, without being immobilized with a spinal board. Do not use the stretcher for any purpose other than transporting patients. The transport of objects can damage the base, characterizing a loss of warranty.

Load capacity for this model: **150Kg**

IDENTIFICATION AND TRACEABILITY

All Forza Rescue equipment is identified with a sticker label, which contains the serial number for traceability control. Among others, the serial tag serves for proof of warranty, identification of spare parts and equipment manufacturing history. Never remove or damage the serial label, as this will void your equipment's warranty.



WARNING STICKERS

Forza Rescue equipment has some visual communications made through specific stickers. Be aware if your equipment model has any of the stickers below. Never remove, damage or scratch the warning stickers.

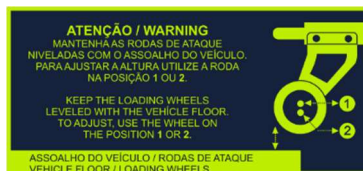
- a) Load capacity: Indicates the maximum load limit that can be carried on the equipment. Check the respective indication on your equipment and respect the stipulated limit. Example:



- b) Fasten the belts: Indicates that all seat belts (including shoulder restraints) must be fastened for any patient to be transported.



- c) Loading wheels: If you have any model of folding cot. Indicates that the loading wheels must always be on the same level as the vehicle / ambulance floor, to ensure the correct and safe loading or unloading operations.



CLEANING AND ASSEPSY SUGGESTION

Forza Rescue suggests that cleaning and basic asepsis for all equipment can be done using 70° alcohol or neutral soap. After cleaning, remove residues from these products in order to avoid direct contact with the patients' skin or mucosa. We do not recommend the use of bleach or abrasive products. In extreme cases, when there is a large concentration of blood, fluids or debris, we recommend using a jet wash with neutral soap. After this process dry all equipment with a dry cloth and lubricate all moving parts using a 100% vegetable lubricant.

Seat belts should be washed weekly by immersing them in water and mild soap in order to remove the deepest dirt. We recommend periodic replacement of all seat belts within an average period of 6 months in order to avoid contamination. Mattresses with a torn or perforated protective cover should be discarded and replaced immediately.

PERIODIC MAINTENANCE

Since the equipment is composed by a several mechanisms and articulation systems, we recommend carrying out a periodic maintenance schedule in order to increase the safety and useful life of the equipment. Periodic maintenance must include (in agreement with the equipment you have) the verification of the following points:

- Check all the main structure, looking for possible damage.
- Check for wear on moving parts or joints.
- Check for loose screws, nuts, or pins.
- Check that the castor brake is working and that there is no dirt blocking its rotation.
- Check that all mechanisms are working perfectly.
- In the case of stretchers, check that there are no holes or tears in the mat cover.
- Check that all seat belts are working correctly.
- In the case of stretchers, check that the loading wheels are at the same height as the ambulance floor and that the fasten system in the vehicle is working correctly, without looseness or strange behavior.
- Check that all moving parts are lubricated.

Create a maintenance schedule to check the points above. We recommend that this check is made weekly and that a script of notes is created to monitor the state of conservation of the equipment.

STORAGE / CONSERVATION CONDITIONS

Store this product in its original packaging. If this is not possible, store it in an appropriate place, free from weather and nature agents.

ORIGIN

Product made in Brazil - Brazilian Industry.